

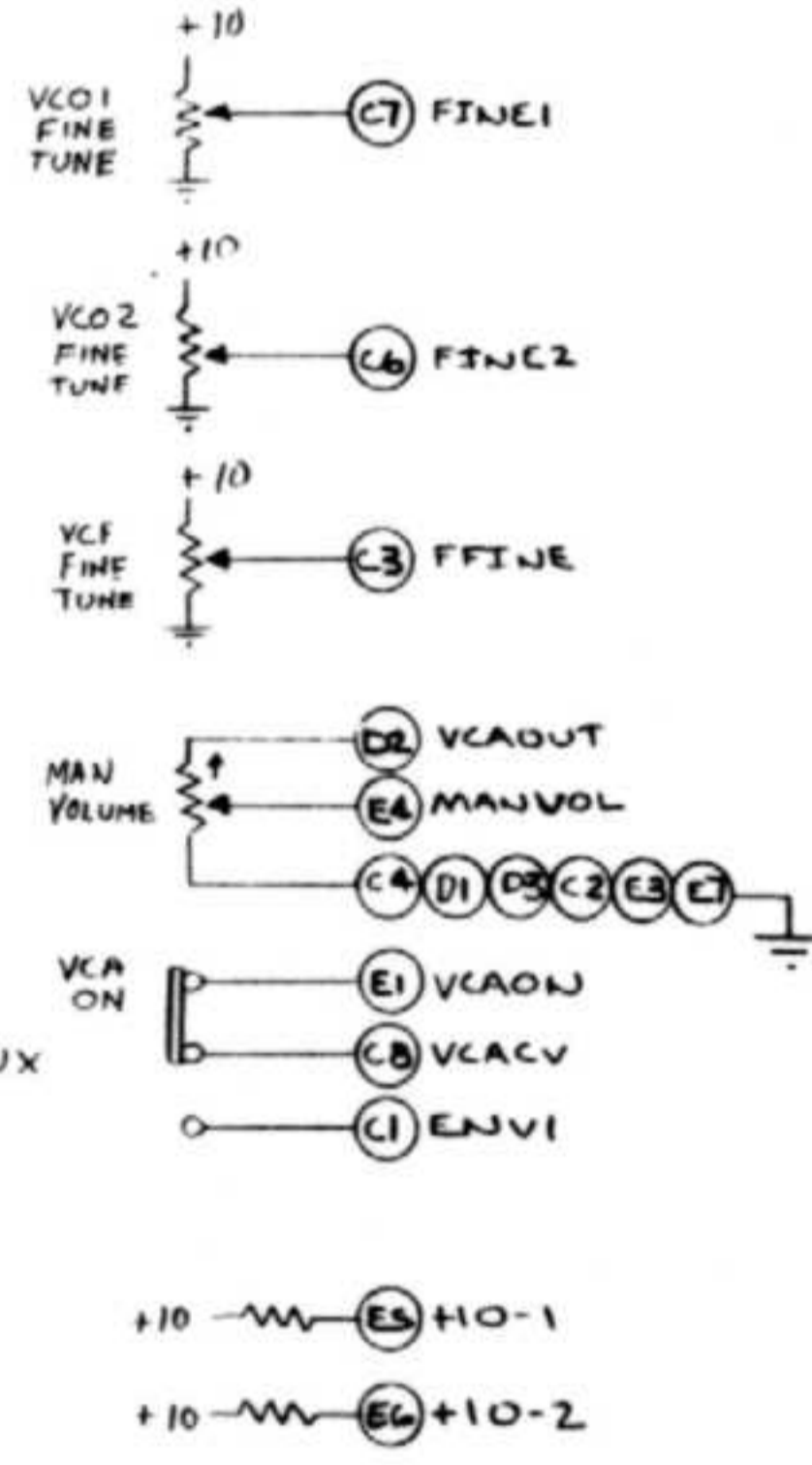
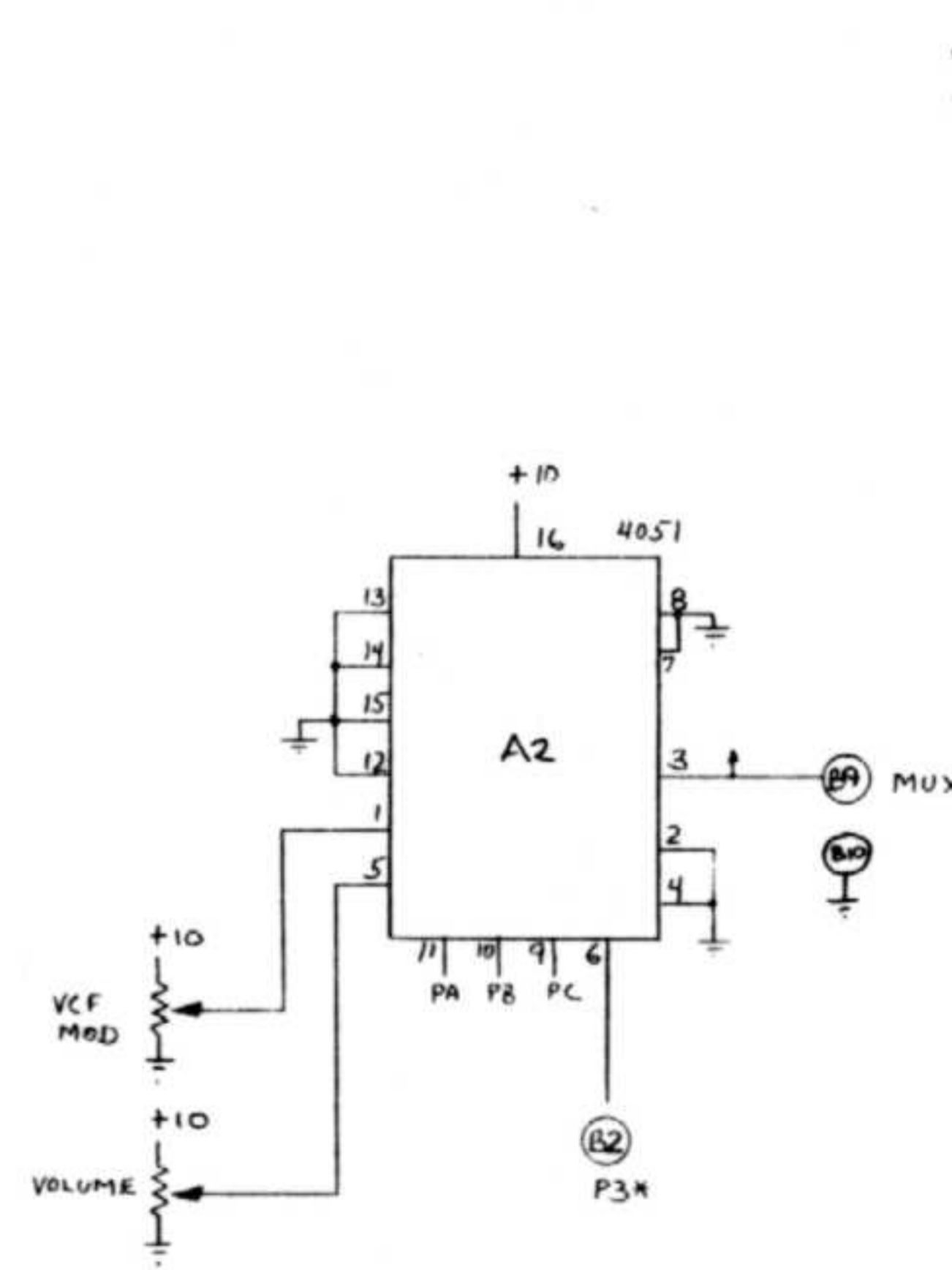
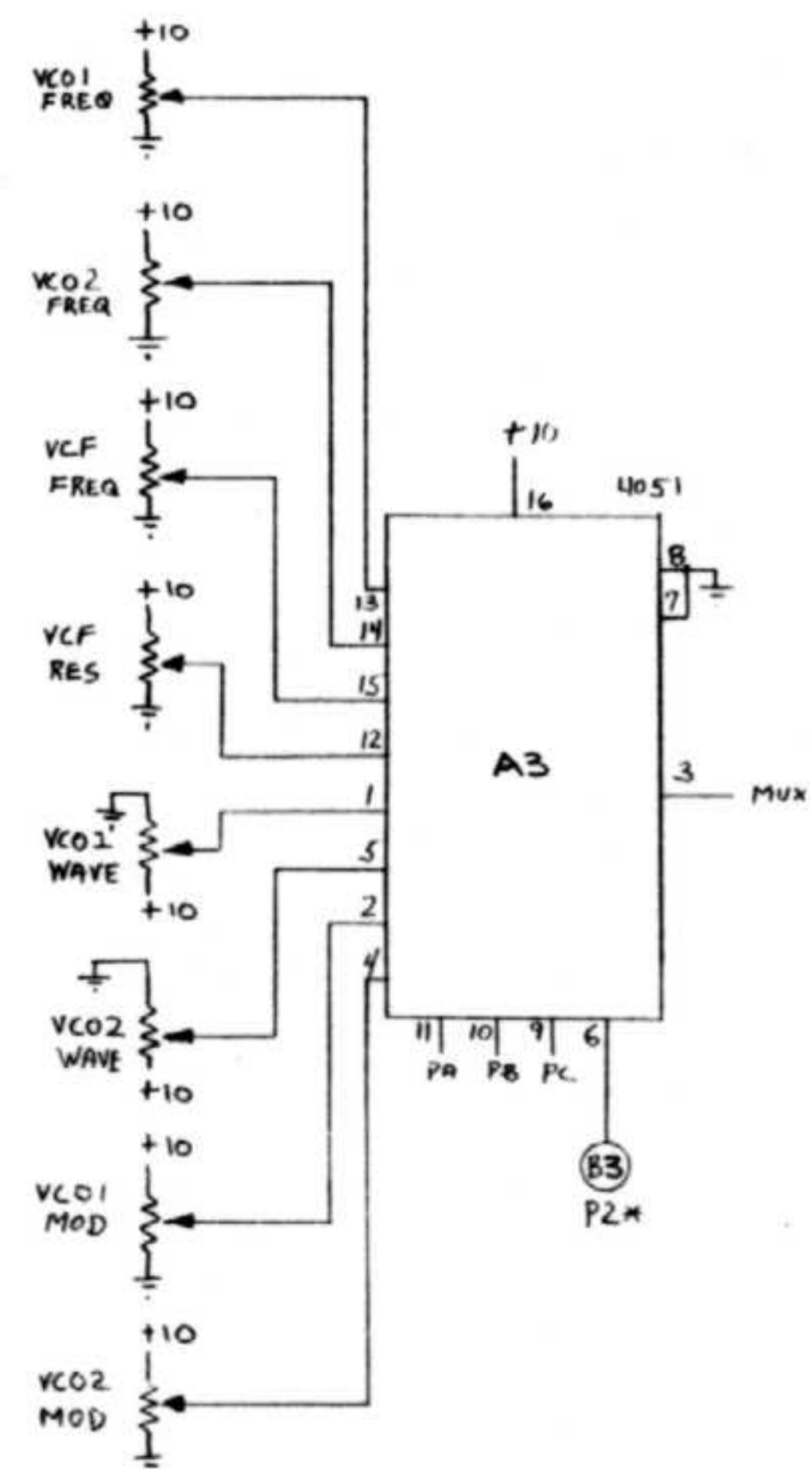
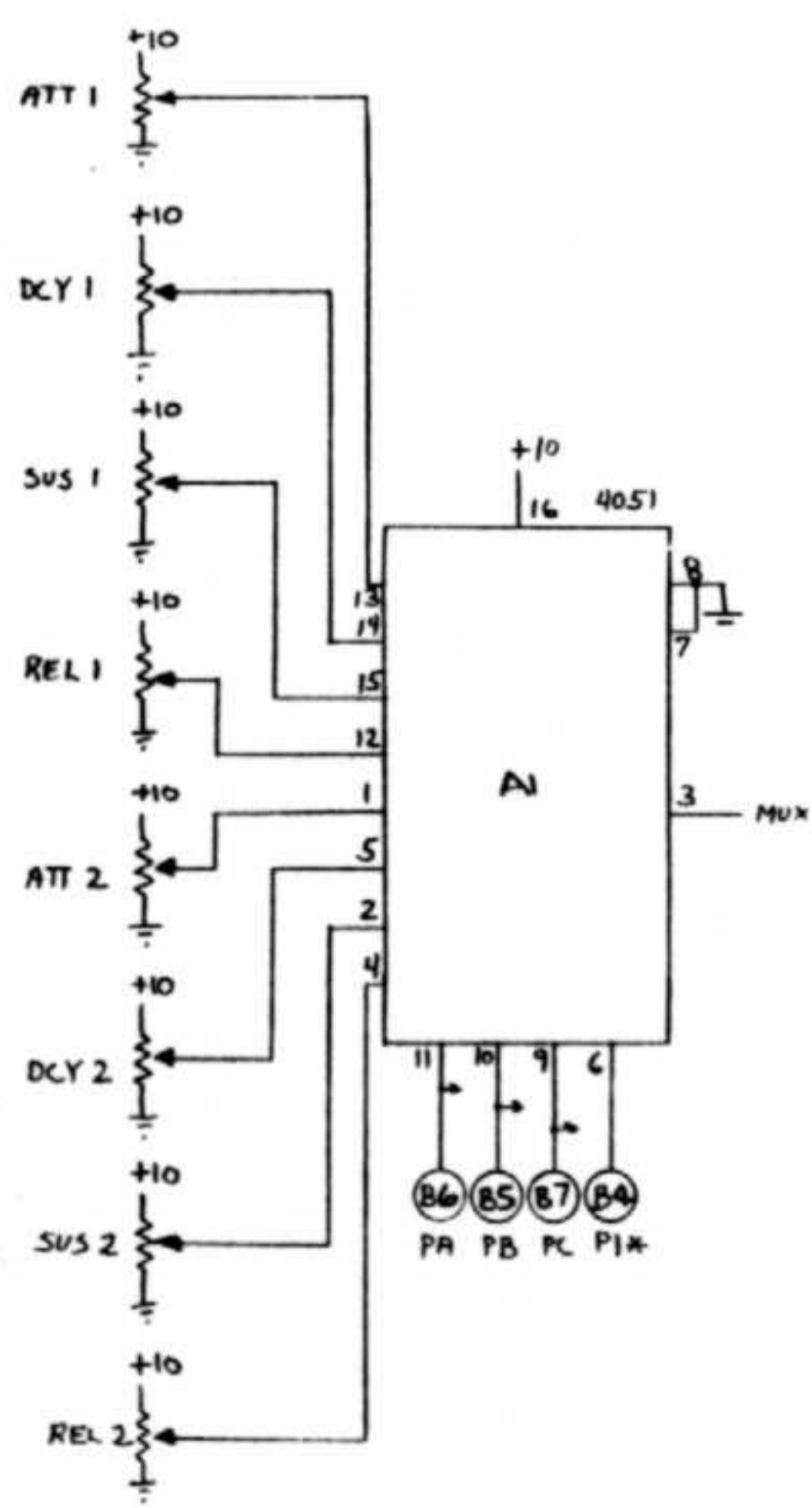
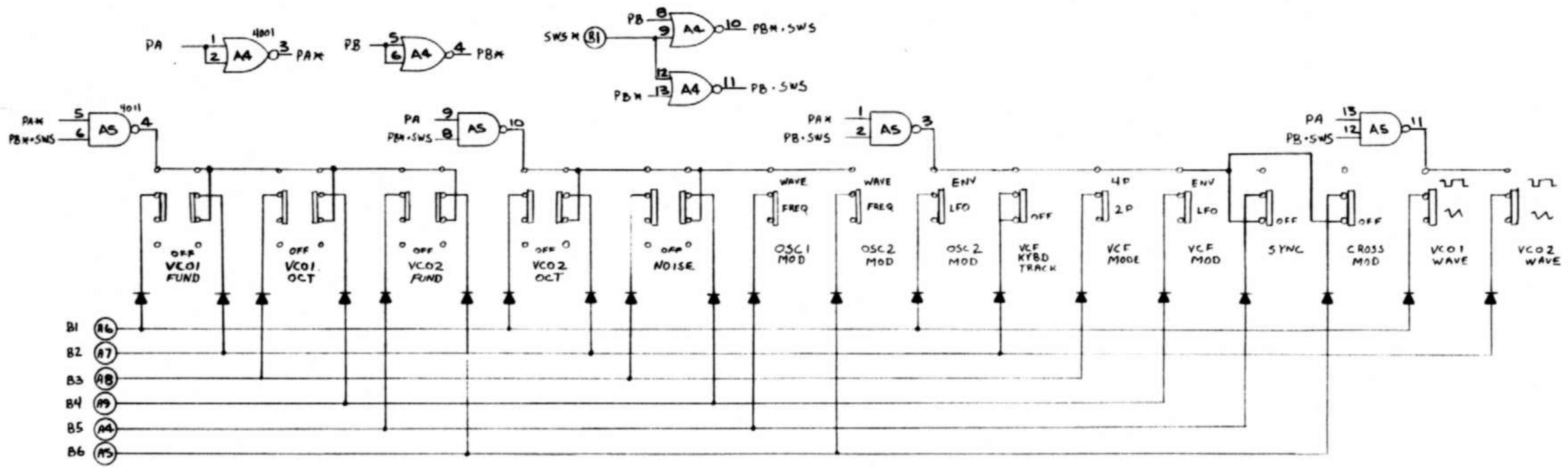
OBERHEIM ELECTRONICS INC.

OB-1

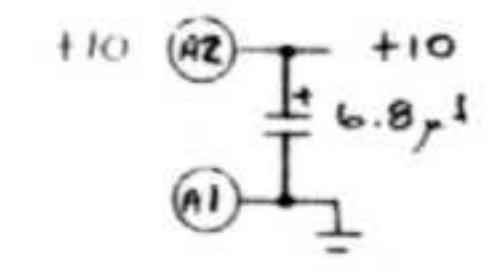
WIRING BLOCK  
DIAGRAM

Revised  
10/79

1338



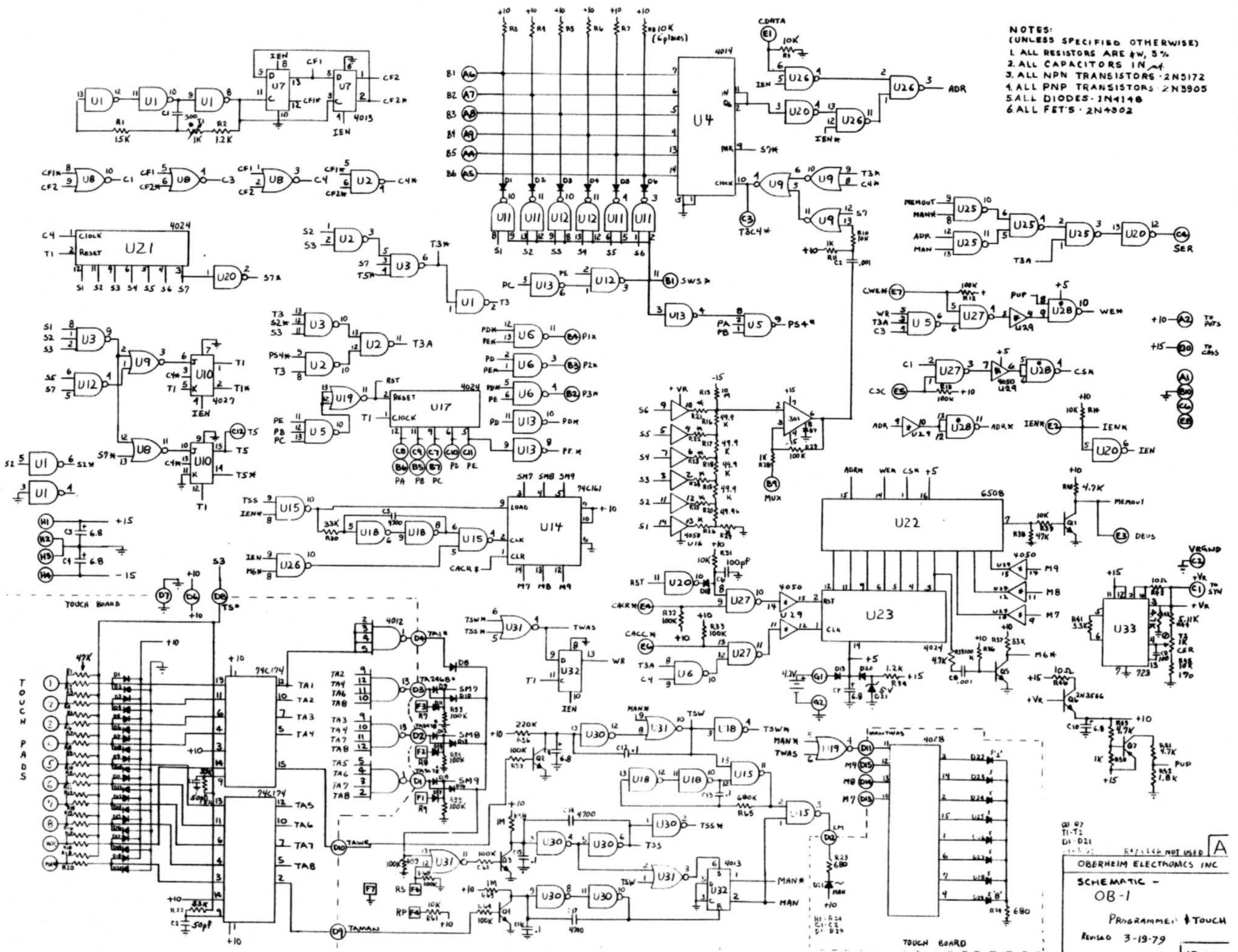
ALL POTS SHOWN WITH CLOCK-WISE SIDE TOWARD TOP UNLESS MARKED. ALL POTS 50K OHM



OBERHEIM ELECTRONICS, INC.  
 SCHEMATIC -  
 OB-1 POT BOARD  
 REVISED 10-31-77  
 1339



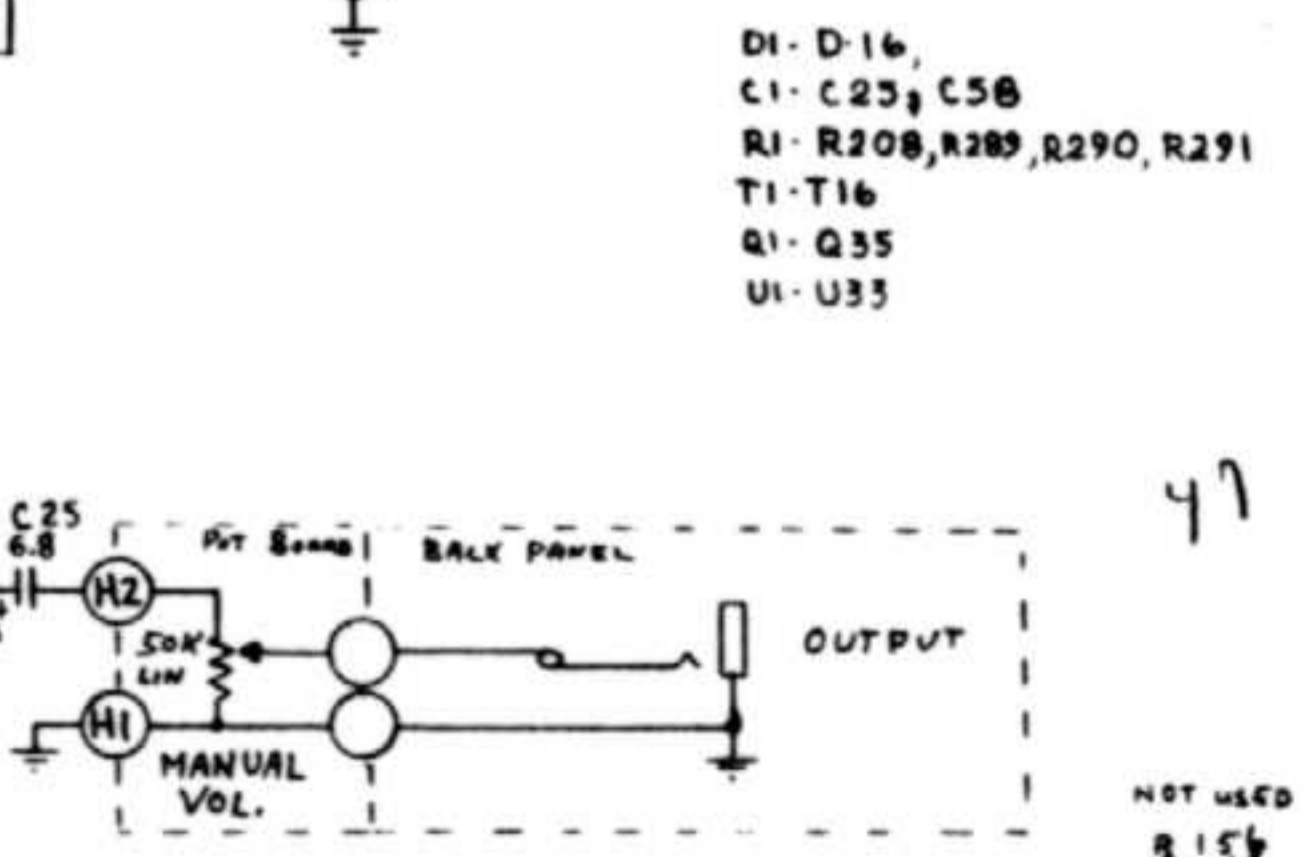
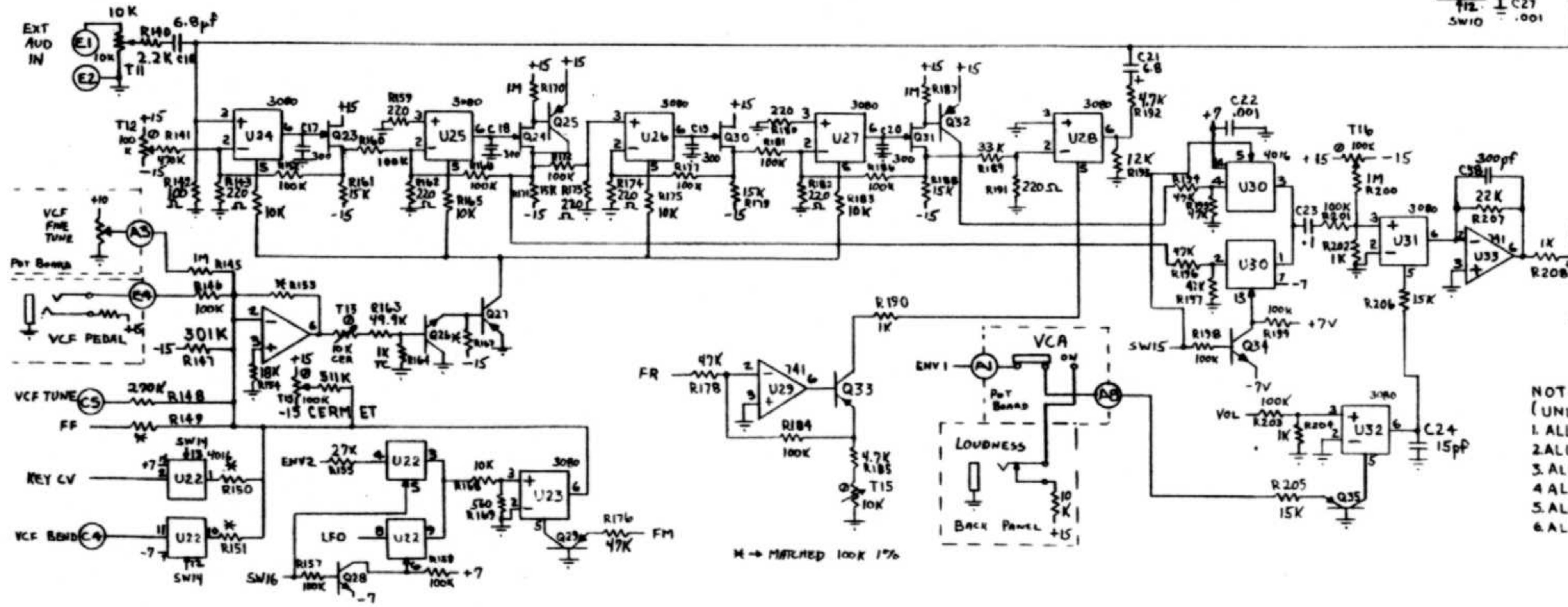
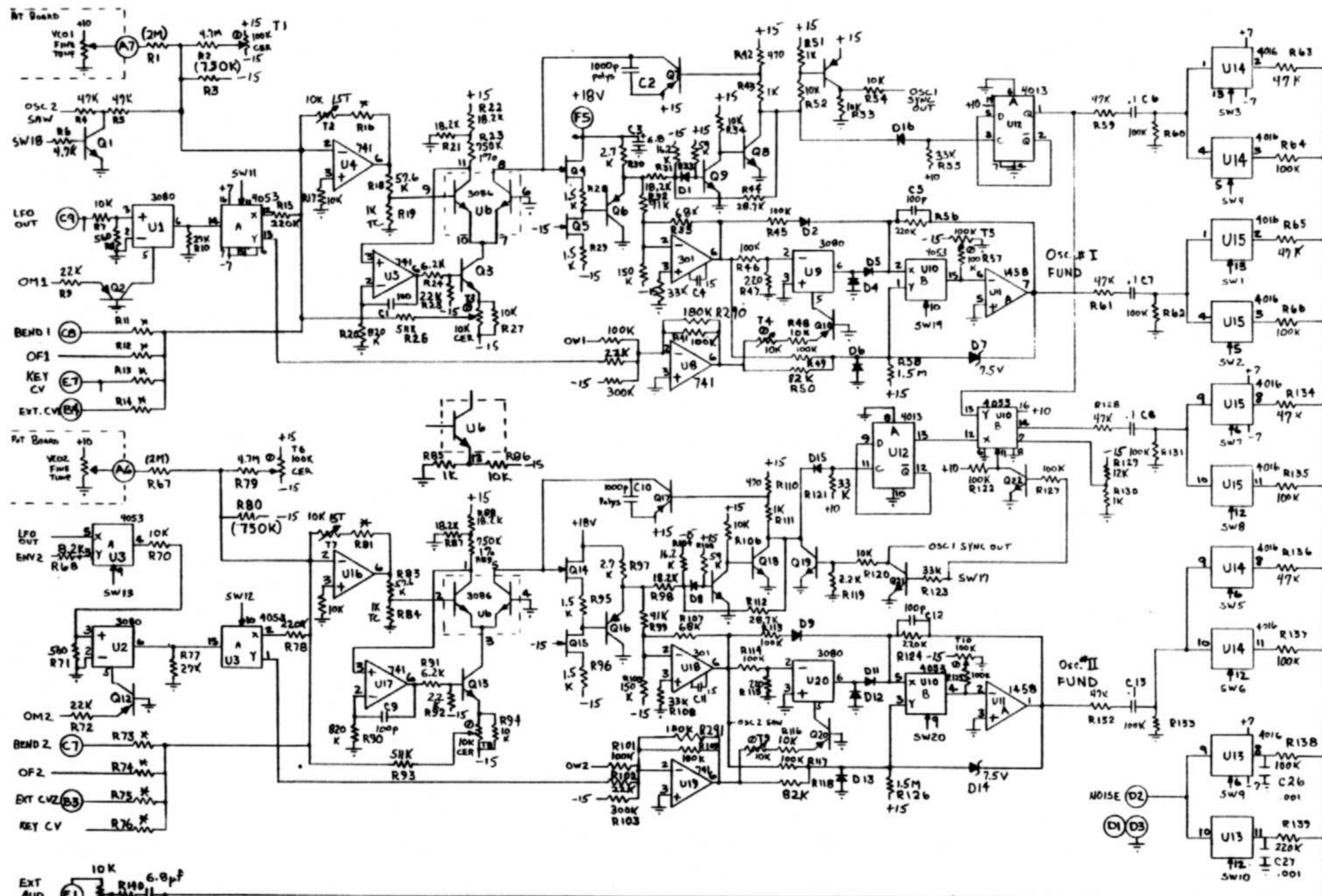
- NOTES:  
 (UNLESS SPECIFIED OTHERWISE)  
 1. ALL RESISTORS ARE ±W, 5%  
 2. ALL CAPACITORS IN μF  
 3. ALL NPN TRANSISTORS - 2N5172  
 4. ALL PNP TRANSISTORS - 2N3905  
 5. ALL DIODES - 1N4148  
 6. ALL FET'S - 2N4392



Q1-Q7  
 T1-T2  
 D1-D21  
 R47-R48 NOT USED

OBERHEIM ELECTRONICS INC  
 SCHEMATIC -  
 OB-1  
 PROGRAMMER: TOUCH  
 REVISED 3-19-79

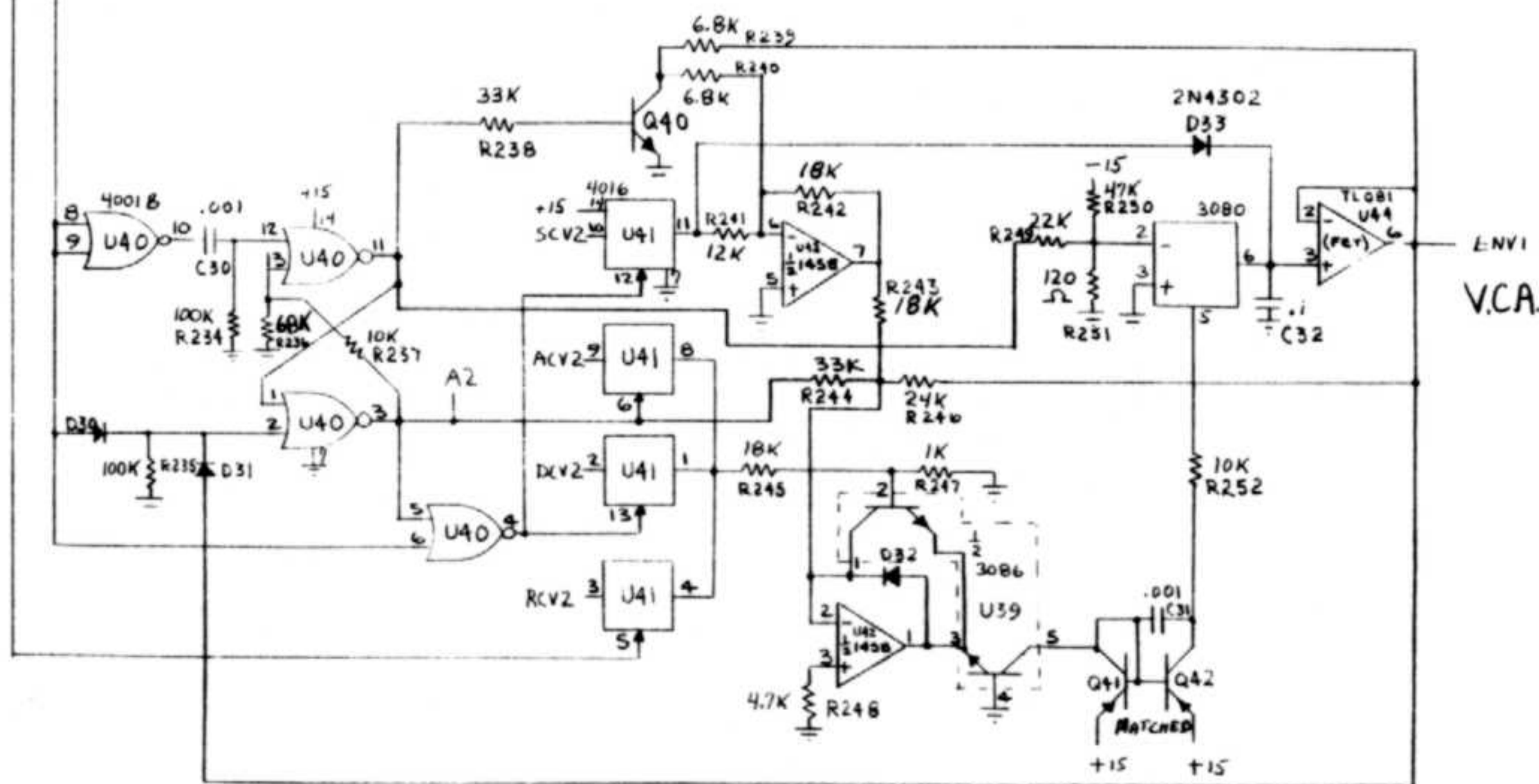
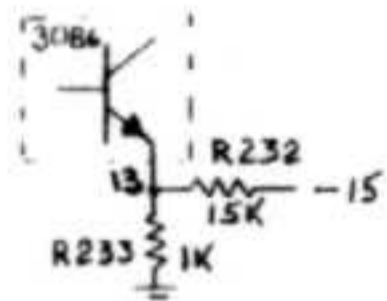
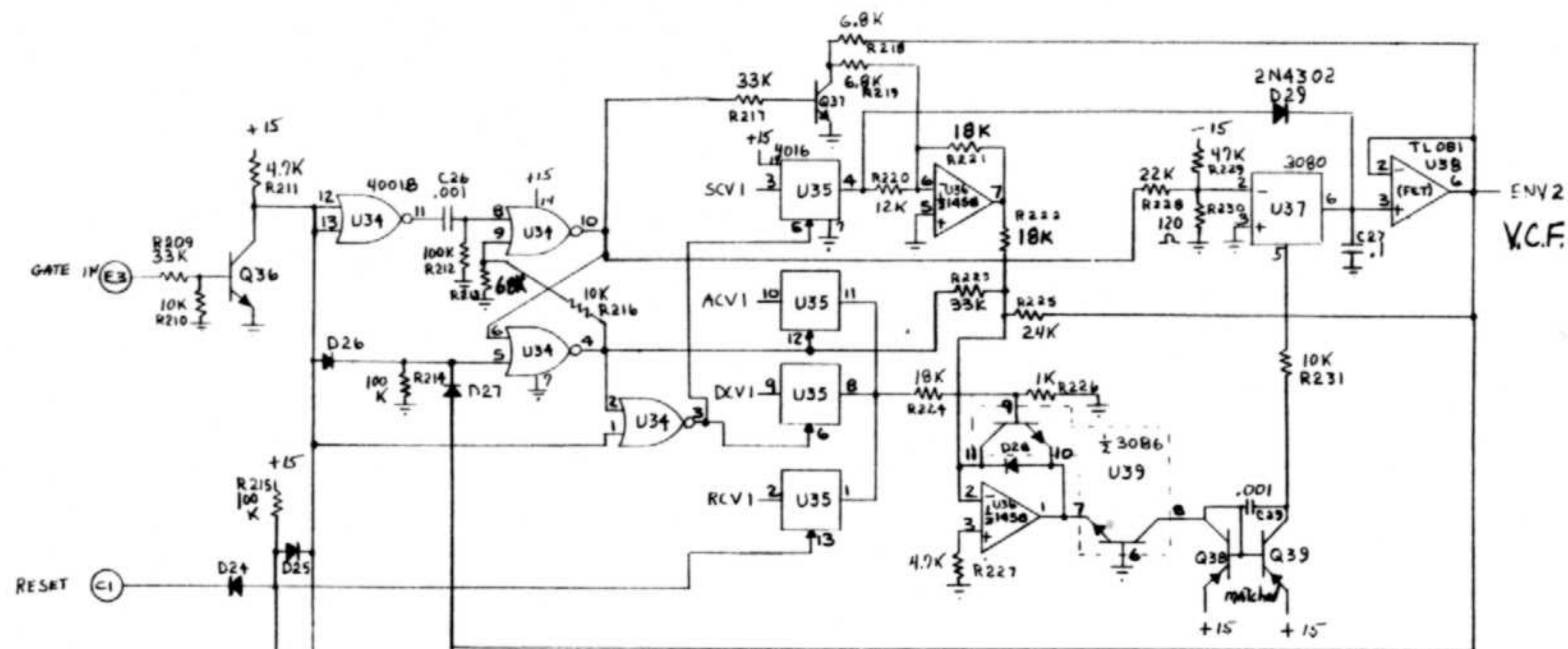
11341



- NOTES:  
 (UNLESS SPECIFIED OTHERWISE)  
 1. ALL RESISTORS ARE  $\pm 5\%$   
 2. ALL CAPACITORS IN  $\mu F$   
 3. ALL NPN TRANSISTORS-2N5172  
 4. ALL PNP TRANSISTORS-2N3905  
 5. ALL DIODES-1N4148  
 6. ALL FET'S-2N4302

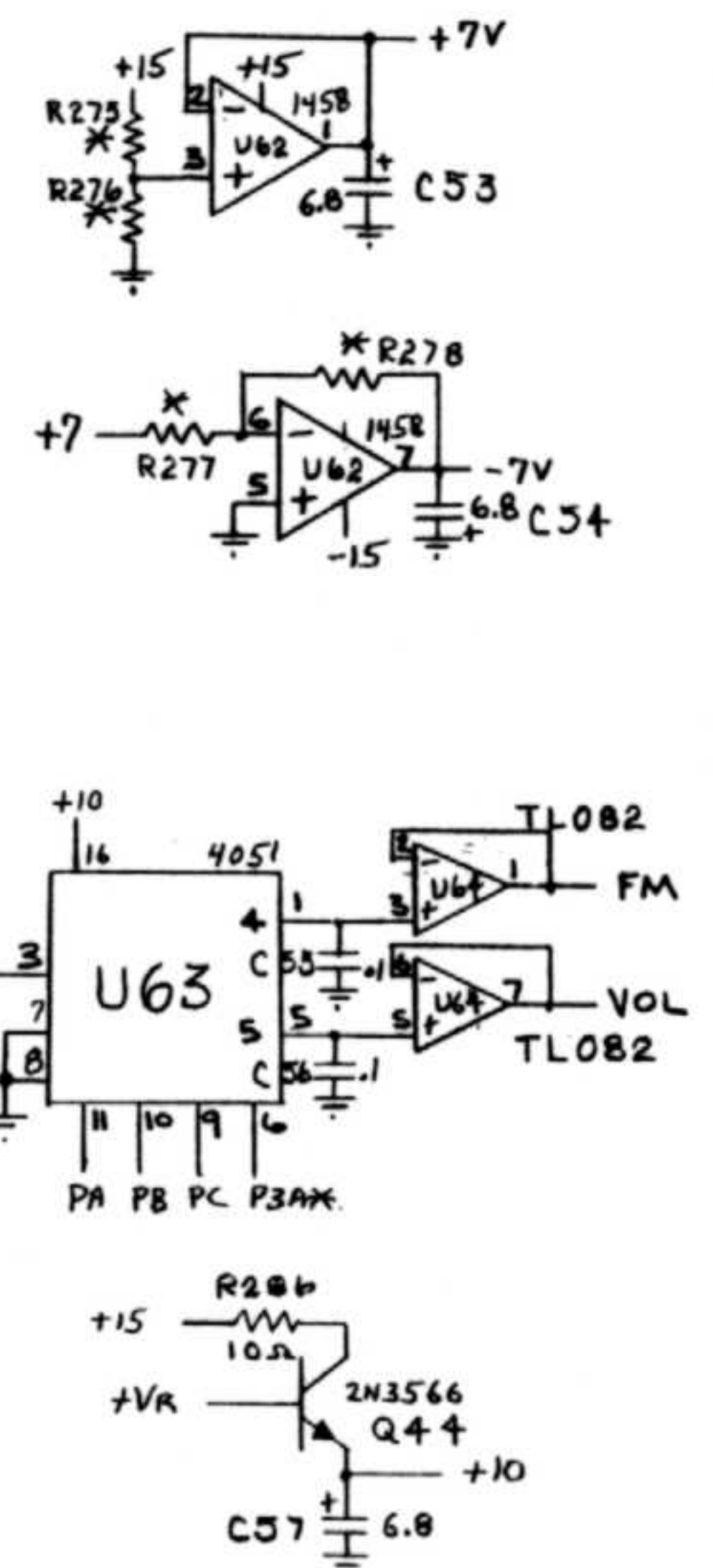
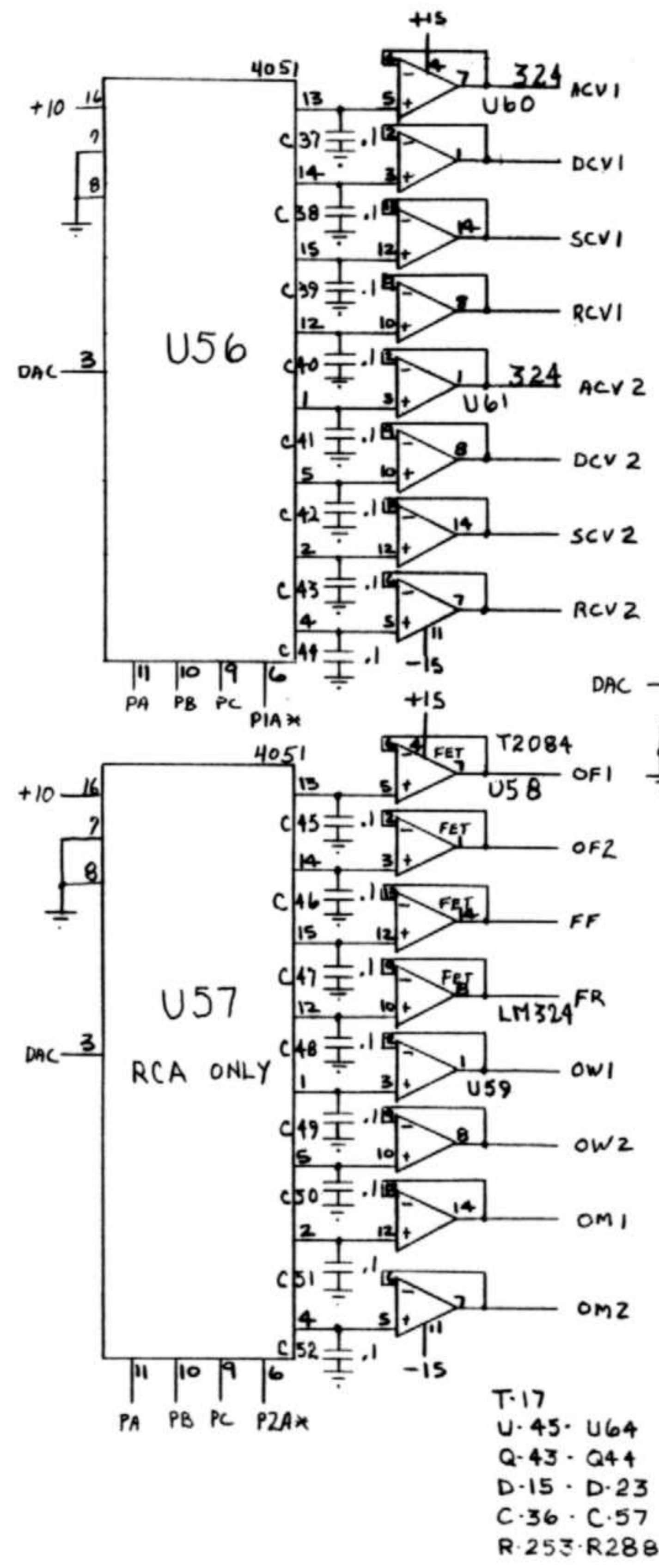
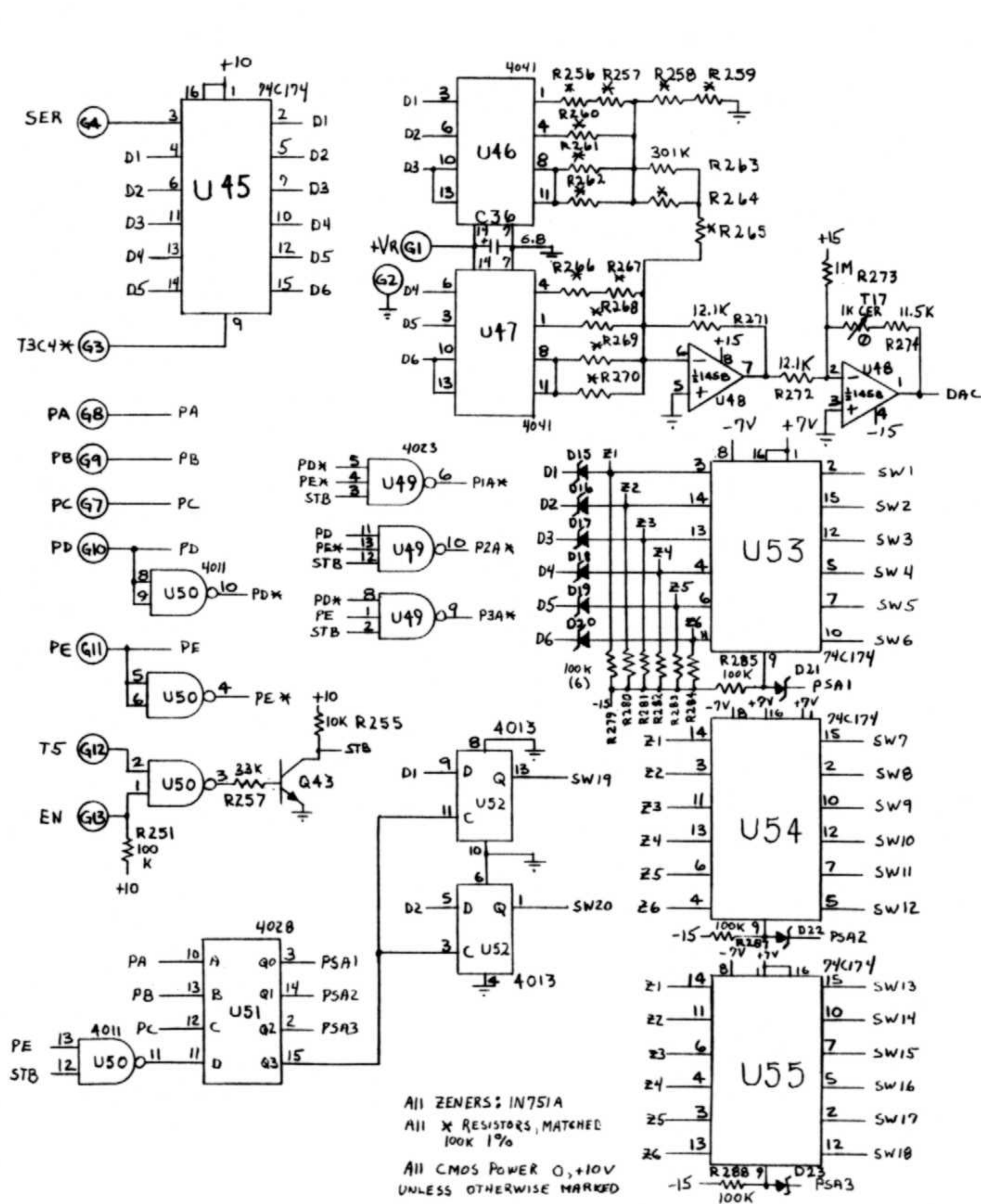
OBERRIM ELECTRONICS INC  
 SCHEMATIC-  
 OB-1  
 SYNTHESIZER BOARD  
 REVISED 4-2-79  
 SHEET 1 OF 3

47  
 NOT USED  
 R154



- U34 - U44
- Q36 - Q42
- D24 - D33
- C25 - C34 C26 C33 C34 NOT USED
- R209 - R252

- NOTES:
- (UNLESS SPECIFIED OTHERWISE)
  - 1 ALL RESISTORS ARE  $\pm 5\%$
  - 2 ALL CAPACITORS IN nF
  - 3 ALL NPN TRANSISTORS - 2N2172
  - 4 ALL PNP TRANSISTORS - 2N2905
  - 5 ALL DIODES - 1N4148
  - 6 ALL FETS - 2N4302
  - 7 4001 MUST BE BUFFERED

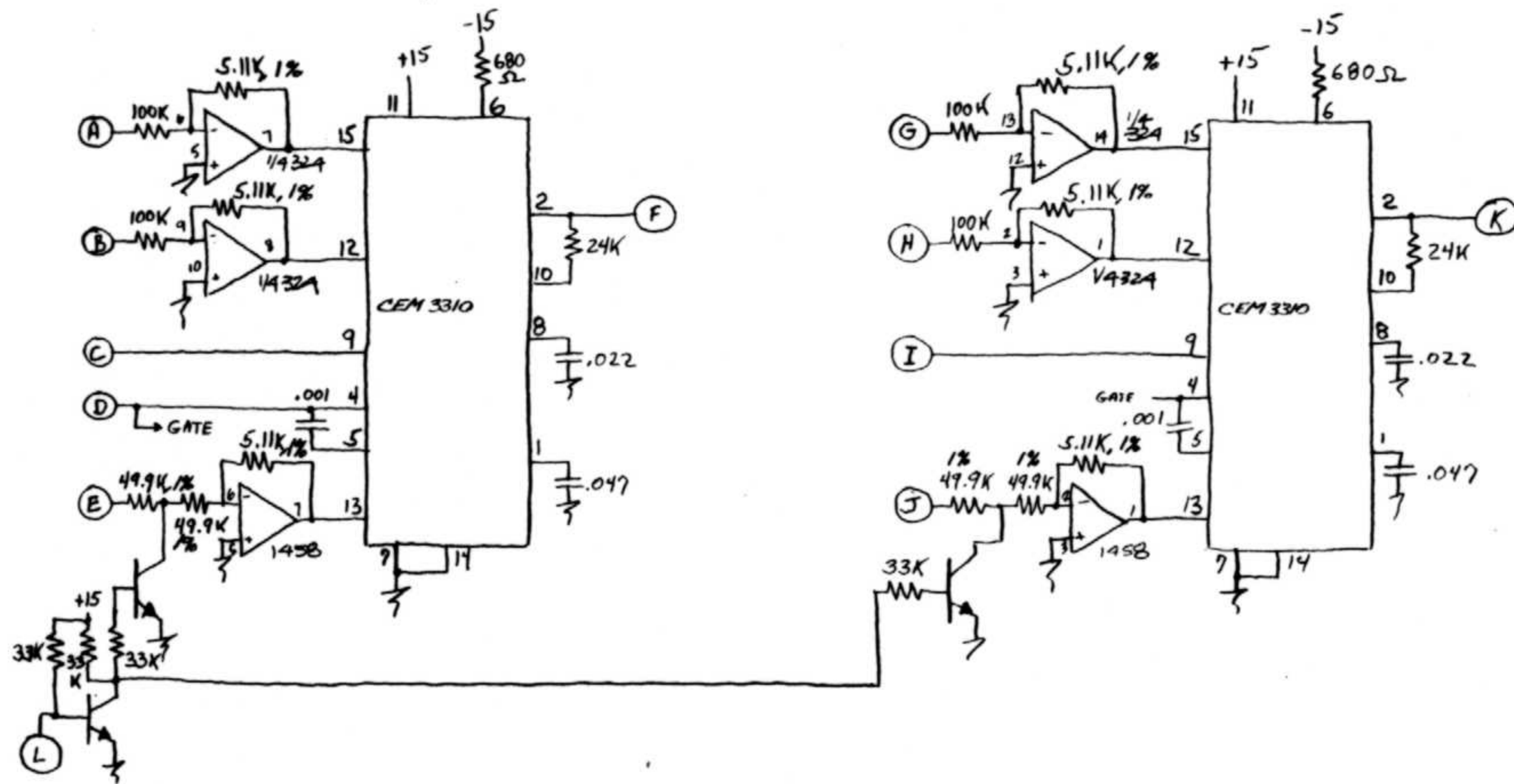


NOTES:  
 (UNLESS SPECIFIED OTHERWISE)  
 1. ALL RESISTORS ARE  $\pm 5\%$   
 2. ALL CAPACITORS IN  $\mu\text{f}$ .  
 3. ALL NPN TRANSISTORS-2N5172  
 4. ALL PNP TRANSISTORS-2N3905  
 5. ALL DIODES-1N4148  
 6. ALL FET'S-2N4302

OBERHEIM ELECTRONICS, INC.  
 SCHEMATIC -  
 OB-1  
 SYNTHESIZER BOARD  
 (S/H CRKTS)  
 SHEET 3 OF 3  
 11-1-77  
 REVISED 4-2-79 1342







(M) +15

(N)  $\uparrow$

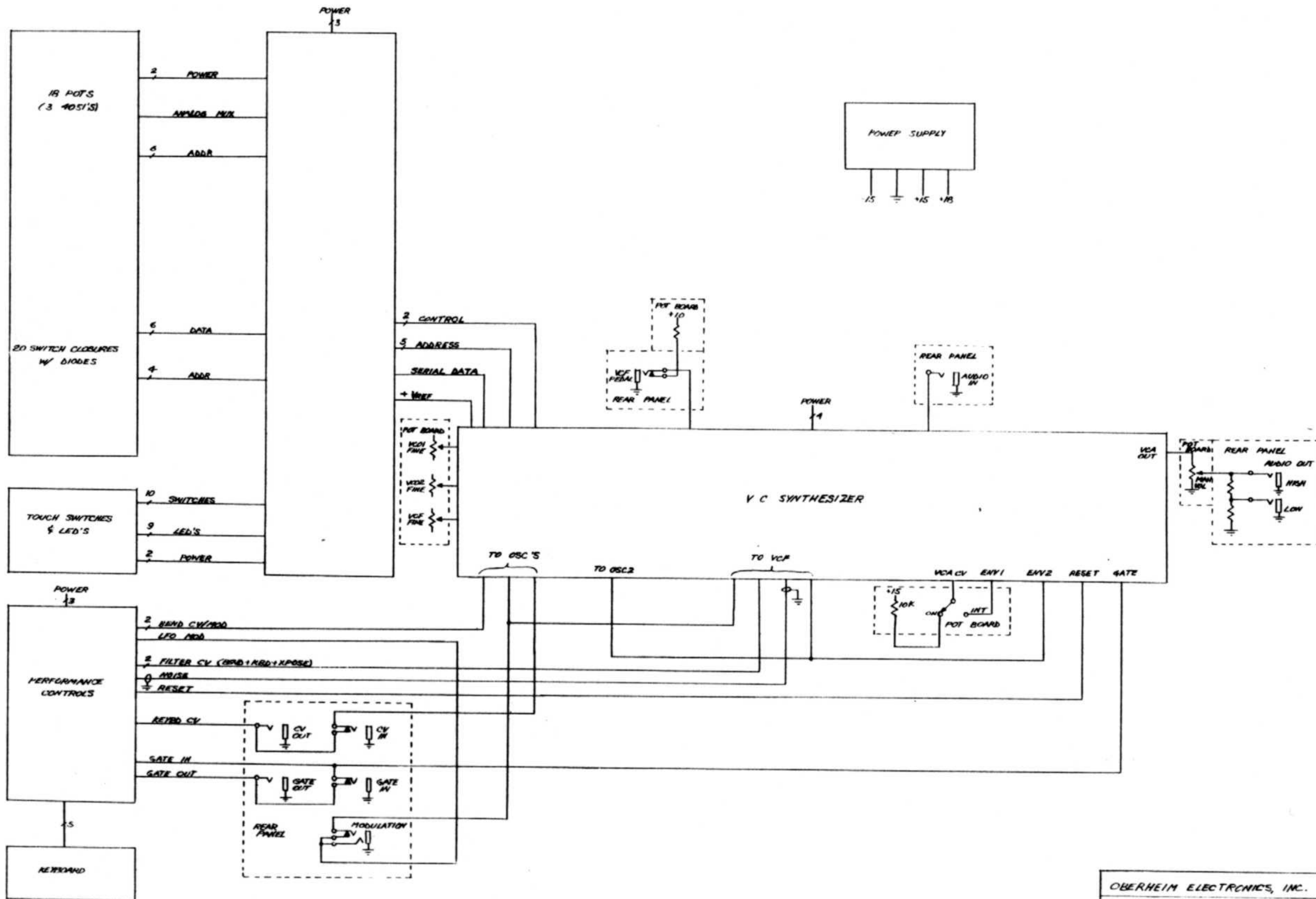
(O) -15

- NOTES:  
 (UNLESS SPECIFIED OTHERWISE)  
 1. ALL RESISTORS ARE  $\pm$ W, 5%  
 2. ALL CAPACITORS IN  $\mu$ f.  
 3. ALL DIODES - 1N4148  
 4. ALL TRANSISTORS MPS 5172

OBERHEIM ELECTRONICS

OB-1  
 ENVELOPE GENERATOR  
 CHIP BOARD

11/29/78 1387



OBERHEIM ELECTRONICS, INC.

OB-1A WIRING BLOCK DIAGRAM

10-1-79

1427